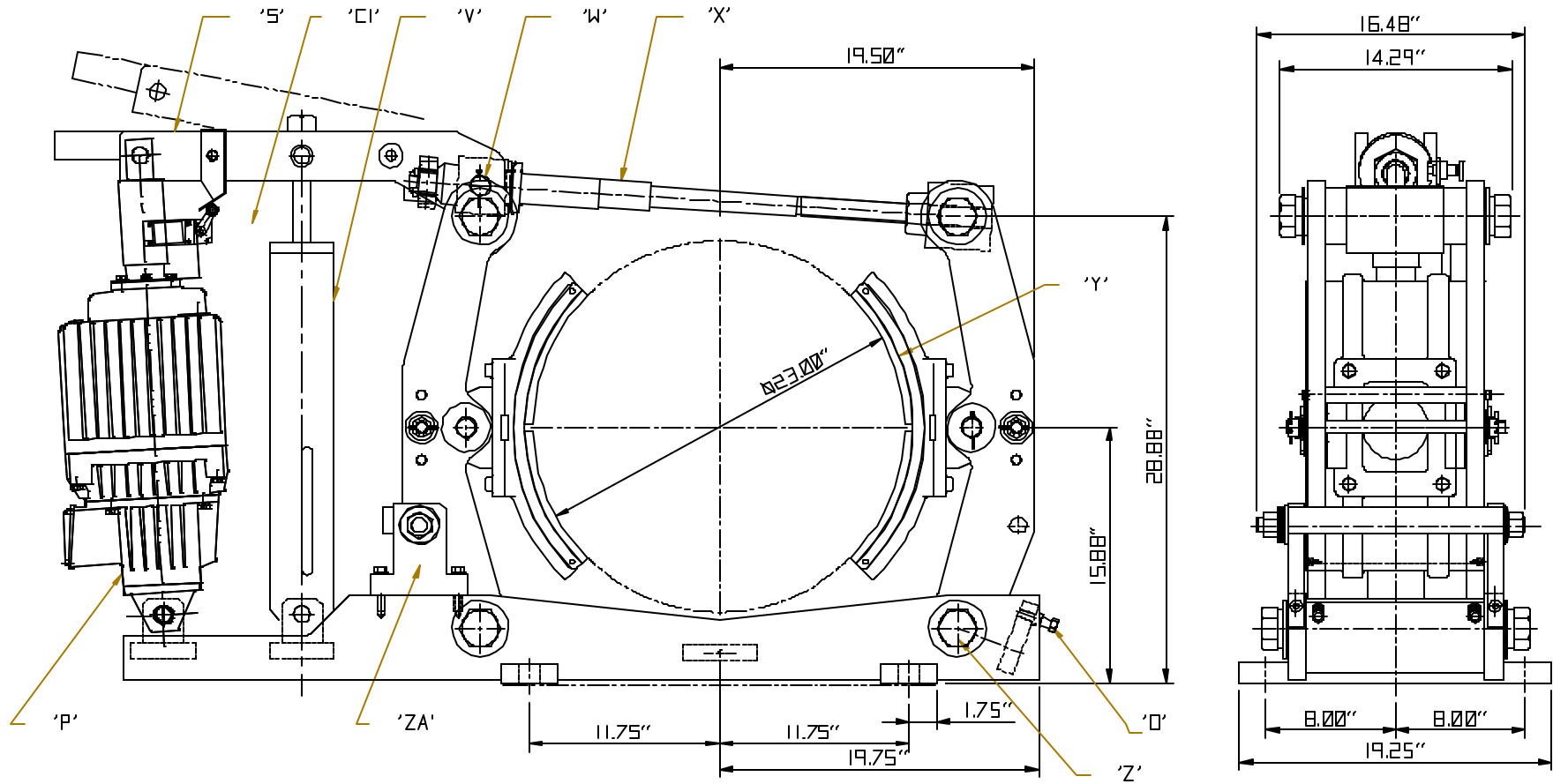
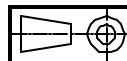



This document is the confidential property of "MONDEL ENGINEERING". This is an unpublished work subject to trade secret and copyright protection. This data disclosed herein is subject to return upon demand and is not to be reproduced, used or disclosed in whole or in part without the prior written consent of "MONDEL ENGINEERING".



- 'D' = SHIPPING BOLTS (SEE NOTE BELOW)
- 'P' = HY-THRUST ACTUATOR (Ed301/12)
- 'S' = MANUAL RELEASE LEVER
- 'V' = EXTERNAL TORQUE SPRING
- 'W' = SELF LUBRICATING BUSHINGS
- 'X' = AUTO ADJUSTMENT MECHANISM
- 'Y' = MOLDED NON-ASBESTOS LINING
- 'Z' = SPECIAL BEARINGS ON MAIN PIVOT POINTS
- 'ZA' = AUTO-EQUALIZING ASSEMBLY
- 'CI' = LIMIT SWITCH

NOTE: DISCARD SHIPPING BOLTS PRIOR TO INSTALLATION



NO.	REVISION	BY	DATE
 MONDEL ENGINEERING			
TITLE: 23" MBTJF/E OUTLINE			
DRAWN: R.V.	DATE: JULY 18/02	DRAWING NO.	REV. NO.
CHECKED: R.B.	DATE: JULY 18/02	902559	0
APPROD:	SCALE: N.T.S.	SHEET 1 OF 1	ASS'Y: 23" MBT Ed301/12